

**4 mm grout**



**Function** The Balance Pro series BP400 support has been designed for the installation of any type of tile floor on any surface, allowing the underlying inspection of the various systems and potential waterproofing, with no need to carry out any demolition.

Thanks to the innovative system of adjustment from above, the perfect final levelling of the floor with millimetric height adjustment is obtained by using the TopKey key, in addition to the self-levelling capacity of the head which adapts to inclinations of the supporting surface of up to 5%.

To complete the absolute versatility of the system, 2 rings with different functions are supplied: the rocker Block in case it is necessary to compensate for the self-levelling effect of the head, and the Rotation Block in case it is necessary to adjust the height on the sides as in the case of installation in the centre of the tile. Both rings are fixed to the head of the support and can be used individually or combined.

The included 2 mm thick rubber leveller, to be applied over the head, reduces the foot-traffic noise by reducing contact between the tile and the head.

**Compatibility** -

**Range** h 25-30 – h 30-37 – h 37-50 – h 50-75 – h 75-125

**Performance** The materials used to produce Balance Pro products have good resistance to acidic, basic solutions and atmospheric agents such as bad weather, air exposure, UV exposure.

Reaction to fire classification of the pedestal and of the anti-shock rubber shim: E(fl).

Their mechanical features stay the same over time.

**Operating temperature** -40°C; +75°C

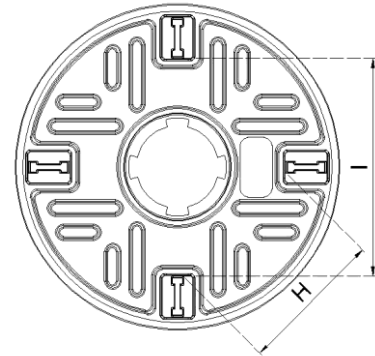
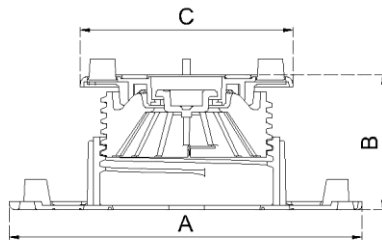
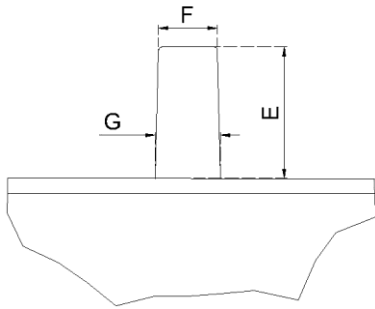
<b>Included accessories:</b>	Rocker block	<b>Recycled product</b>	Yes for PP T 20% No for TPE
<b>Optional accessories:</b>	Slope corrector	<b>Recyclable product</b>	Yes
	Leveller	<b>Material</b>	Support and Rocker Block: PP T 20% Rubber: TPE
	Prime Up extension h 5 mm		
	Rumorstop		

**Additional information**

All types of Balance Pro products are guaranteed to withstand concentrated loads of 1000 kg each, at any adjustment height. For a better understanding of the interaction between the Balance Pro and the accessories, please refer to the respective technical data sheets.

If not otherwise indicated, all measurements are expressed in millimetres.

**4 mm grout**



Line Item	Description
1 240-720-001-025	SELF-LEVELLING BALANCE PRO BP401 10-04 h 25-30
2 240-720-001-030	SELF-LEVELLING BALANCE PRO BP402 10-04 h 30-37
3 240-720-001-037	SELF-LEVELLING BALANCE PRO BP403 10-04 h 37-50
4 240-720-001-050	SELF-LEVELLING BALANCE PRO BP404 10-04 h 50-75
5 240-720-001-075	SELF-LEVELLING BALANCE PRO BP405 10-04 h 75-125

A	B	C	D	E	F	G	H	I
200,0	25-30	120,0	-	10,0	4,0	4,5	53,6	80,0
200,0	30-37	120,0	-	10,0	4,0	4,5	53,6	80,0
200,0	37-50	120,0	-	10,0	4,0	4,5	53,6	80,0
200,0	50-75	120,0	-	10,0	4,0	4,5	53,6	80,0
200,0	75-125	120,0	-	10,0	4,0	4,5	53,6	80,0

If not otherwise indicated, all measurements are expressed in millimetres.