

**4 mm grout**



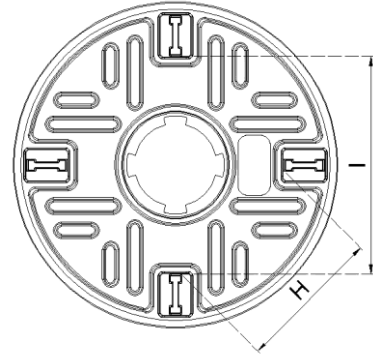
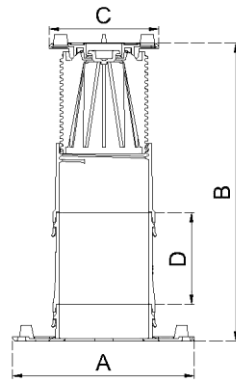
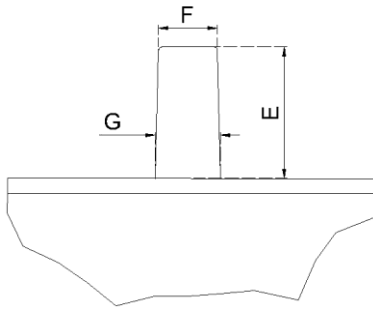
<b>Function</b>	<p>The Balance Pro series BP400 support has been designed for the installation of any type of tile floor on any surface, allowing the underlying inspection of the various systems and potential waterproofing, with no need to carry out any demolition.</p> <p>Thanks to the innovative system of adjustment from above, the perfect final levelling of the floor with millimetric height adjustment is obtained by using the TopKey key, in addition to the self-levelling capacity of the head which adapts to inclinations of the supporting surface of up to 5%.</p> <p>The GBP Ring nut offers the possibility of satisfying a considerable height excursion of the support, but the added value of the Balance Pro supports is given by the speed of installation of the PBP Extension, to be hooked between the GBP Ring nut and the Base thanks to the fins with slots, which can be stacked up to 8 times in order to reach a support height higher than one metre.</p> <p>To complete the absolute versatility of the system, if it is necessary to compensate for the self-levelling effect of the head, a rocker block ring is also supplied to be fitted on the head.</p> <p>The included 2 mm thick rubber leveller, to be applied over the head, reduces the foot-traffic noise by reducing contact between the tile and the head.</p>		
<b>Compatibility</b>	-		
<b>Range</b>	h 225-325 – h 325-425 – h 425-525 – h 525-625 – h 625-725 – h 725-825 – h 825-925 – h 925-1025		
<b>Performance</b>	<p>The materials used to produce Balance Pro products have good resistance to acidic, basic solutions and atmospheric agents such as bad weather, air exposure, UV exposure.</p> <p>Reaction to fire classification of the pedestal and of the anti-shock rubber shim: E(fl).</p> <p>Their mechanical features stay the same over time.</p>		
<b>Operating temperature</b>	-40°C; +75°C		
<b>Included accessories:</b>	Rocker block	<b>Recycled product</b>	Yes for PP T 20% No for TPE
<b>Optional accessories:</b>	Slope corrector	<b>Recyclable product</b>	Yes
	Leveller	<b>Material</b>	Support and Rocker Block: PP T 20% Rubber: TPE
	Prime Up extension h 5 mm		
	Rumorstop		
	TopKey		

**Additional information**

All types of Balance Pro products are guaranteed to withstand concentrated loads of 1000 kg each, at any adjustment height. For a better understanding of the interaction between the Balance Pro and the accessories, please refer to the respective technical data sheets.

If not otherwise indicated, all measurements are expressed in millimetres.

4 mm grout



Line Item	Description	A	B	C	D	E	F	G	H	I
1	240-720-001-225 SELF-LEVELLING BALANCE PRO BP407 10-04 h 225-325	200,0	225-325	120,0	1x100,0	10,0	4,0	4,5	53,6	80,0
2	240-720-001-325 SELF-LEVELLING BALANCE PRO BP408 10-04 h 325-425	200,0	325-425	120,0	2x100,0	10,0	4,0	4,5	53,6	80,0
3	240-720-001-425 SELF-LEVELLING BALANCE PRO BP409 10-04 h 425-525	200,0	425-525	120,0	3x100,0	10,0	4,0	4,5	53,6	80,0
4	240-720-001-525 SELF-LEVELLING BALANCE PRO BP410 10-04 h 525-625	200,0	525-625	120,0	4x100,0	10,0	4,0	4,5	53,6	80,0
5	240-720-001-625 SELF-LEVELLING BALANCE PRO BP411 10-04 h 625-725	200,0	625-725	120,0	5x100,0	10,0	4,0	4,5	53,6	80,0
6	240-720-001-725 SELF-LEVELLING BALANCE PRO BP412 10-04 h 725-825	200,0	725-825	120,0	6x100,0	10,0	4,0	4,5	53,6	80,0
7	240-720-001-825 SELF-LEVELLING BALANCE PRO BP413 10-04 h 825-925	200,0	825-925	120,0	7x100,0	10,0	4,0	4,5	53,6	80,0
8	240-720-001-925 SELF-LEVELLING BALANCE PRO BP414 10-04 h 925-1025	200,0	925-1025	120,0	8x100,0	10,0	4,0	4,5	53,6	80,0

If not otherwise indicated, all measurements are expressed in millimetres.